

# SLIDE GATE OPERATORS

## SL Series

### SLC COMMERCIAL

- 1/2 or 1 HP continuous-duty PSC motor
- 115 VAC or 230 VAC single phase

### SLD COMMERCIAL/RESIDENTIAL

- DC-powered battery back-up with advanced soft start/ soft stop motor control
- Full-time 1/2 HP DC motor
- Selectable fail-safe or fail-secure modes of operation
- Solar power capable

### SLR RESIDENTIAL

- 1/2 HP PSC motor
- 115 VAC or 230 VAC single phase

### COMMON FEATURES

- Black UV Stabilized polyethylene cover
- Reliable chain drive
- Pad mount standard; post mount optional
- Exterior reset button
- UL325/UL991 compliant APeX controller
- Manual disconnect
- Fully integrated radio receiver

**Linear**<sup>®</sup>  
*Building On Innovation.*



All Models ETL Listed;  
UL325 Compliant



Supporters and Proud Members of



## ELECTRICAL

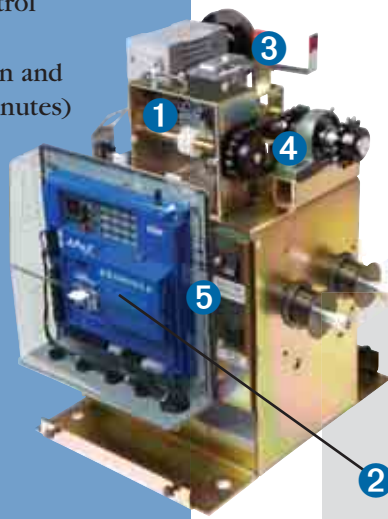
- Integral entrapment sensing system with digital set point for quick accurate adjustment and enhanced safety
- Continuous-tone entrapment alarm with reset button
- Integrated programmable warning beeper during gate movement
- LED diagnostic display for ease of setup and troubleshooting
- Selectable pre-start alarm with provision for ADA compliant visual pre-start and run alarm
- Regulated 24 Volt DC power available for access control accessories
- Integrated maximum run and auto close timer (0-9 minutes)
- Built-in networked dual gate capability using 3-wire shielded cable

## MECHANICAL

- Heavy-duty, zinc-plated, steel chassis
- Easy-to-operate emergency manual disconnect handle
- 1/2 HP #41 chain, 1 HP #40 chain - 31' included
- Universal pad mount standard; optional post mount kit

## SL SERIES SLIDE GATE OPERATOR SPECIFICATIONS

Model	HP	Voltage (Single Phase)	Drive Type	Maximum Gate Length	Maximum Gate Weight	Gate Speed	Maximum Cycles	
SLC	SLC-2	1/2	115 or 230 V	#41 chain	37'	1000 lbs	11"/sec	continuous duty
	SLC-1	1	115 or 230 V	#40 chain	45'	2000 lbs	11"/sec	continuous duty
SLD	SLD-211	1/2	115V 24 VDC battery backup (solar charger optional)	#41 chain	40'	1000 lbs	12"/sec	continuous duty
SLR	SLR-211	1/2	115 V	#41 chain	25'	500 lbs	11"/sec	150/day
	SLR-221	1/2	230 V	#41 chain	25'	500 lbs	11"/sec	150/day



### 1 Rotary Mechanical Limits

Easy access inside control box

### 2 APeX Controls

- UL325/UL991 compliant 24 VDC control module
- Full featured for access control, security, and entrapment protection

### 3 Manual Disconnect

- Simple and secure manual operation during power failure or emergency
- Optional remote cable kit for outside-the-gate access

### 4 Heavy-Duty Components

Gear reducer and pillow block bearing for smooth, reliable, quiet power transmission

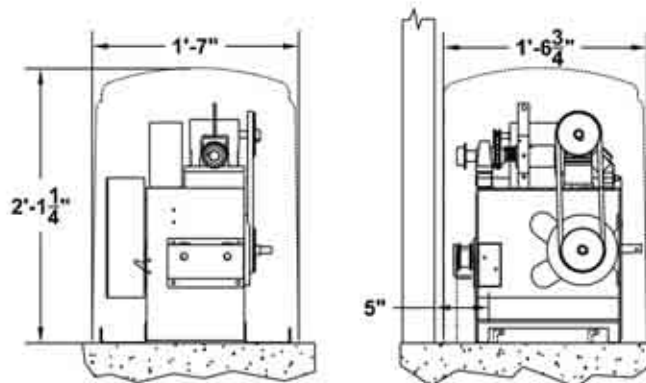
### 5 Standard Convenience Features

- Exterior reset button
- Power on/off button
- Accessory power outlet on 115 V machines
- Integrated 3-button station

2

- Includes APeX Controller with integrated radio receiver, plug-in loop detector capability, surge protection, and easy to read labeling standard.

## Dimensions



Tel:705-322-0363

www.aceddoors.ca



Mark Ext.111

ext111@aceddoors.ca

## CAUTIONS



- Automatic gates not for pedestrians
- Automatic gate operators designed for vehicular traffic only; operators are powerful and can cause serious injury or death; DIRECT ALL PEDESTRIAN TRAFFIC TO SEPARATE PEDESTRIAN GATE
- UL325 requires use of contact or non-contact anti-entrapment devices
- ASTM F2200 requires that all exposed rollers are covered