

**BCSI ELECTRICAL SLIDING GATE OPERATOR  
FOR OPENING FROM 15 TO 45 FEET  
SPECIAL MODEL FOR OPENING FROM 45 TO 100 FEET**

*FEATURES*

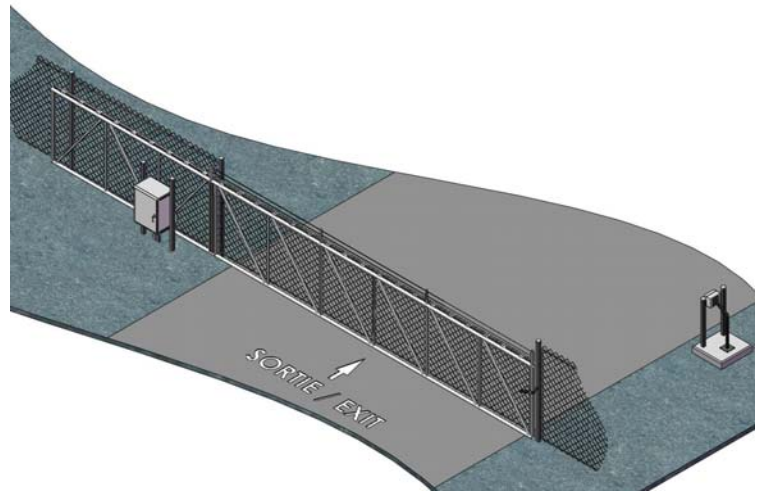
- 100% Made in Québec
- Low operating costs
- Heavy duty frame and mechanism
- Programmable Logic Controller
- 240 V, single phase
- 208/600 V, three phases
- Adjustable torque limiter
- Thermostat controlled heating
- Opening/Closing speed of 12"/sec (std)
- Opening/Closing speed of 24"/sec (option)
- Custom galvanized steel fence

The BCSI electrical sliding gate operator is a product developed by Pivin & Drapeau inc. Our operator, with its heavy duty mechanism and high quality components, is one of the most reliable on the market. This sliding gate operator has been designed for controlling access to industrial and commercial location and it has very low operating costs. Combined with an appropriate gate, the package completely secures the site.

A disengaging mechanism allows manual closing or opening of the gate in case of power failure. Disengaging the mechanism won't affect the limit switches.

The cabinet is built in Aluminum and is totally welded so that it gives a weather proof NEMA 3R cabinet. The door has a sealing gasket, a high security handle with door lock and a stainless steel strap hinge.

The Aluminum control box is located inside the cabinet and included all necessary electrical components for operating the gate. A programmable logic controller manages information and controls the gate. It allows many possibilities for gate control and it can give a lot of data about the gate's status. An adjustable timer, from 0 to 60 seconds, closes the gate when in automatic operating mode. A second timer stops the gate after the



maximum opening/closing movement time is reached. The gate can be activated by push-buttons, remote control, keypad, card reader or any other similar device. Also, all security devices such as safety edges, loops and photoelectric cell can be connected to the control panel.

A control panel is installed in a NEMA 4 certified box. This gives a supplementary protection for all electrical components and reduces the risk of accidents during mechanical work on the gate. Inside the box, many connectors allow wiring of auxiliary components. A programmable logic controller manages information and controls the gate. It allows many possibilities for gate control and it can give a lot of data about the gate's status.

The installation, quick and easy, is done by our specialized technicians.

A large range of options, which can be controlled by the BCSI operator, is available like traffic lights, red LED lights, master-slave control of gates and alarm signals management.

# TECHNICAL DATASHEET

# ELECTRICAL SLIDING GATE OPERATOR

## MODEL

BCSI  
BCSI-HV

## GENERAL

Heating	150 Watts heating element Controlled by thermostat
Cabinet	Aluminum, 1/8" thick
Locking	Door locks
Rain protection	NEMA 3R cabinet
Opening/Closing speed	
BCSI	12"/sec
BCSI-HV	24"/sec
Max. delay with timer	0 to 60 seconds
Manual movement	Disengaging mechanism
Frequency drive	
BCSI-HV	Altivar

## ELECTRICAL

PLC	Omron CPM1L
Motor	1 hp, 1,5hp, 2 hp
Voltage	240 V, single phase
Voltage	208/600 V, three phase
Motor type	TEFC
Limit switches	Quick action switch
Direction of rotation	Reverser contactors
Operating mode	Manual or automatic
Auxiliary wirings	24 VAC, 40 VA 120 VAC, 180 VA
Motor protection	Télemécanique Thermal protection relay
Gate status	Reading by LED
Loop detection	Two connectors

## MECHANICAL

Gearbox	Worm type
Gearbox ratio	40 :1
Torque limiter	Adjustable with two friction disks
Rust protection	Yellow zinc

## ENVIRONMENT

Operating temperature	-40°C to + 50°C
-----------------------	-----------------

## PHYSICAL

Mass	105 – 110 kg 231 – 242 lbs
Dimensions	660 mm x 457 mm x 815 mm 26" x 18" x 32"

## INTERTEK ETL LISTED

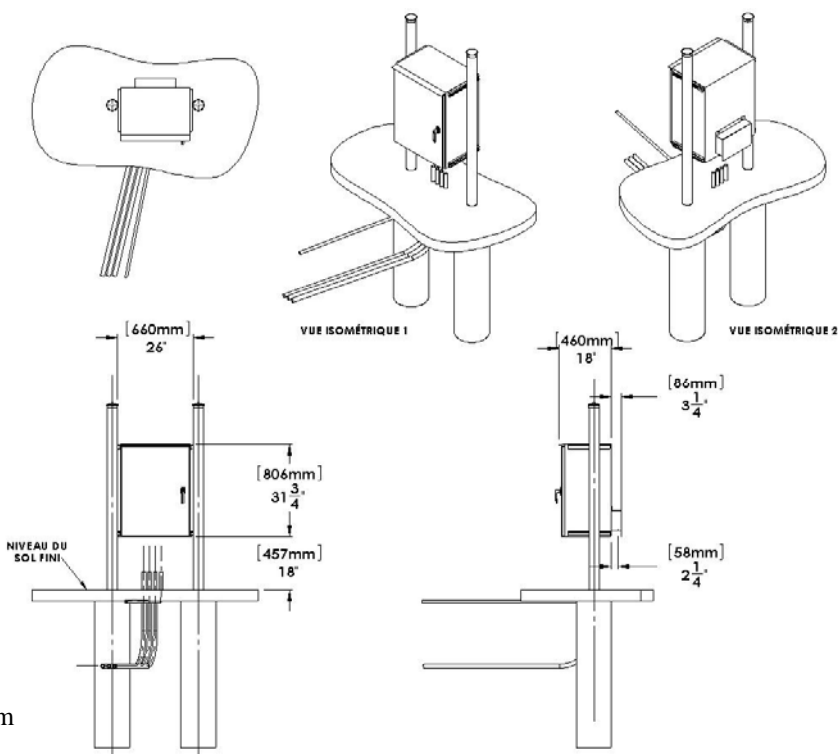
- Certified CSA 22.2 #. 247-92 (R2008)
- Conforms to UL325 5th edition, 8 October 2009

## OPTIONS

Cabinet isolation	- High performance aluminum reflecting insulant with air bubbles
PLC management	- Traffic lights - Red LED lights - Alarm signals - Two gates in master/slave
Controls	- Remote control - Bypass key - Card system - Push buttons - Intercom/interphone

## GATE (OPTION)

Fence type	Chain-link fence
Fence gauge	#9 gauge
Fence material	Galvanized steel
Barbwires (option)	3 rows



**PIVIN & DRAPEAU inc**

**ENTREPRENEUR SPÉCIALISÉ  
EN BARRIÈRES MOTORISÉES**

Product specifications and availability subject to change without notice  
©Copyright 2010, Pivin & Drapeau inc., All rights reserved